

Technical data sheet

Tilting anchors



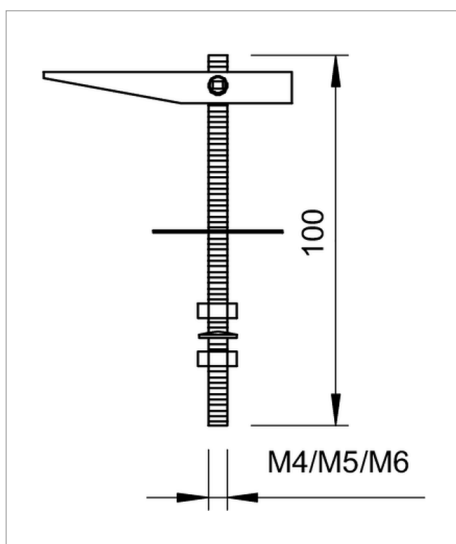
Two washers and two hexagonal nuts, with threaded shank.

Type	Thread	Length mm	Bore hole diameter mm	Breaking load kN	Box quantity	Pack. pcs	Weight kg/100 pcs.	Art.-No.
458 M4x100 G	M4	100	13	0.5	400	50	3.310	348215 4
456 M5x100 G	M5	100	13	0.8	400	50	3.810	348210 3
453 M6x100 G	M6	100	16	1.3	300	50	5.250	348201 4

St Steel


G Electro-galvanised

/100



CE

Legend

 Communautés Européennes, EC declaration of conformity according to EC directives